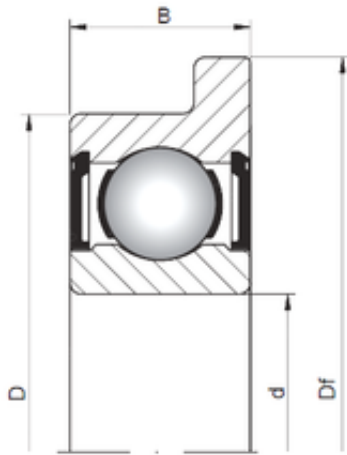




# CAR Bearing manufacturing Co.,Ltd



## ISO FL603 ZZ deep groove ball bearings

Bearing No. FL603 ZZ

Dimensione	3x9x5 mm
Marchio	ISO
Diametro del foro	3 mm
Diametro esterno	9 mm
Larghezza	5 mm
d	3 mm
D	9 mm
B	5 mm
C	5 mm
Df	10,5 mm

FL603 ZZ Bearing 2D drawings and 3D CAD models