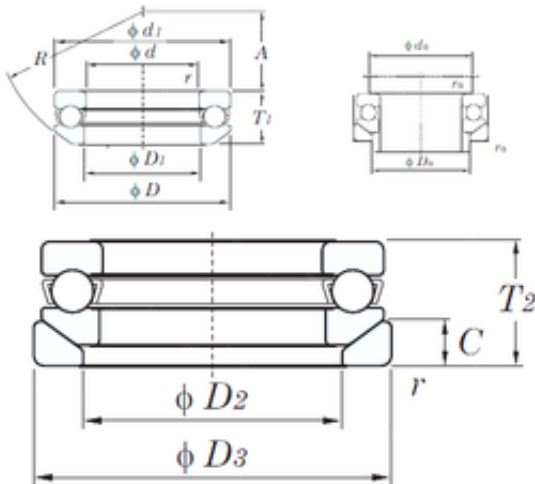




CAR Bearing manufacturing Co.,Ltd

KOYO 53200U thrust ball bearings

Bearing No. 53200U



53200U Bearing 2D drawings and 3D CAD models

Size	10x26x11.6 mm
Bore Diameter	10 mm
Outer Diameter	26 mm
Width	11,6 mm
d	10 mm
D	26 mm
T1	11,6 mm
T2	13 mm
d1	26 mm
r min.	0,6 mm
A	8,5 mm
C	3,5 mm
D1	12 mm
D2	18 mm
D3	28 mm
R	22 mm
da min.	20 mm
Da max.	16 mm
ra max.	0,6 mm
Weight	0,037 Kg
Basic dynamic load rating (C)	12,7 kN
Basic static load rating (C0)	17,1 kN
(Grease) Lubrication Speed	5700 r/min
Bearing No.	53200U
T	13
r(min)	0.6



CAR Bearing manufacturing Co.,Ltd

Ca	15.8
Coa	17.1
Cu	0.770
Grease lub.	5700
Oil lub.	8800
d1(max)	26
D1(min)	12
D2(min)	18
D3(min)	28
da(min)	20
Da(max)	16
ra(max)	0.6
(Refer.)Mass(kg)	0.037