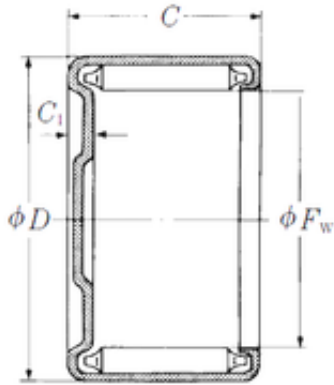




CAR Bearing manufacturing Co.,Ltd

NSK M-20121 needle roller bearings



Bearing No. M-20121

Dimensione	31.75x38.1x19.05 mm
Marchio	NSK
Diametro del foro	31,75 mm
Diametro esterno	38,1 mm
Larghezza	19,05 mm
Fw	31,75 mm
D	38,1 mm
C	19,05 mm
C2	2,3 mm
Peso	0,045 Kg
Carico dinamico di base (C)	27,7 kN

M-20121 Bearing 2D drawings and 3D CAD models