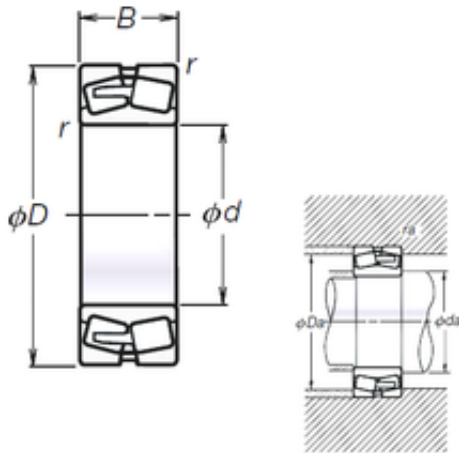




CAR Bearing manufacturing Co.,Ltd



NSK TL23138CAE4 spherical roller bearings

Bearing No. TL23138CAE4

Size	190x320x104 mm
Bore Diameter	190 mm
Outer Diameter	320 mm
Width	104 mm
d	190 mm
D	320 mm
B	104 mm
C	104 mm
r min.	3 mm
da min.	204 mm
Da min	306 mm
Da max.	276 mm
ra max.	3,5 mm
Weight	34 Kg
Basic dynamic load rating (C)	1190 kN
Basic static load rating (C0)	36,576 kN
(Grease) Lubrication Speed	850 r/min
(Oil) Lubrication Speed	1 100 r/min
Calculation factor (e)	0,31
Calculation factor (Y0)	2,1
Calculation factor (Y2)	3,2

TL23138CAE4 Bearing 2D drawings and 3D CAD models