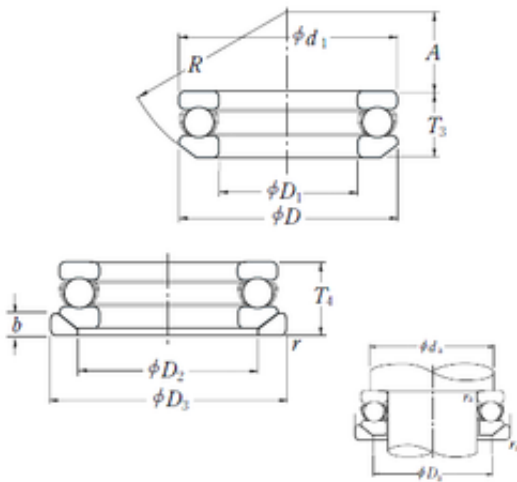




# CAR Bearing manufacturing Co.,Ltd

## NSK 53416U thrust ball bearings

Bearing No. 53416U



53416U Bearing 2D drawings and 3D CAD models

Size	80x170x78 mm
Bore Diameter	80 mm
Outer Diameter	170 mm
Width	78 mm
d	80 mm
D	170 mm
T	78 mm
b	22 mm
d1	170 mm
r min.	2,1 mm
A	36 mm
D1	83 mm
D2	125 mm
D3	175 mm
R	125 mm
da min.	133 mm
Da max.	117 mm
ra max.	2 mm
Weight	8,9 Kg
Basic dynamic load rating (C)	272 kN
Basic static load rating (C0)	620 kN
(Grease) Lubrication Speed	900 r/min
SRI	17.15
hidYobi	53416U
LangID	1
D_	170



## CAR Bearing manufacturing Co.,Ltd

SREX	0.125
C	272
B_	78
hidTable	ecat_NSSDTB
Oil rpm	1300
SRE	17.15
mass	8.9
GRS rpm	900
ra	2
SRIX	0.125
T4	78
D_3	175
D_a	117
SRIN	0
C0	620
D_2	125
SREN	0
D_1	83
Prod_Type3	TB_SD_WASW
da	133
DA_	31.75
Z_	10
yobi	53416U
A_	36
T3	72.2
SDM_	125
r	2.1
KBRG	5131
R_	125