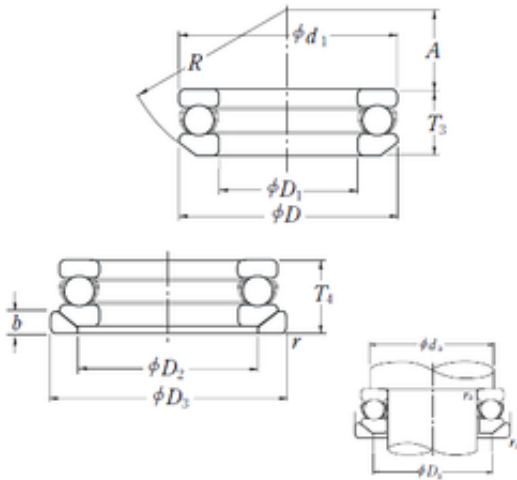




CAR Bearing manufacturing Co.,Ltd

NSK 53232XU thrust ball bearings

Bearing No. 53232XU



53232XU Bearing 2D drawings and 3D CAD models

Size	160x225x61 mm
Bore Diameter	160 mm
Outer Diameter	225 mm
Width	61 mm
d	160 mm
D	225 mm
T	61 mm
b	21 mm
d1	222 mm
r min.	1,5 mm
A	74 mm
D1	163 mm
D2	190 mm
D3	235 mm
R	160 mm
da min.	199 mm
Da max.	186 mm
ra max.	1,5 mm
Weight	8,7 Kg
Basic dynamic load rating (C)	249 kN
Basic static load rating (C0)	805 kN
(Grease) Lubrication Speed	900 r/min
SRI	12.9
hidYobi	53232XU
LangID	1
D_	225



CAR Bearing manufacturing Co.,Ltd

SREX	0.08
C	249
B_	61
hidTable	ecat_NSSDTB
Oil rpm	1400
SRE	12.9
mass	8.7
GRS rpm	900
ra	1.5
SRIX	0.08
T4	61
D_3	235
D_a	186
SRIN	0
C0	805
D_2	190
SREN	0
D_1	163
Prod_Type3	TB_SD_WASW
da	199
DA_	23.812
Z_	23
yobi	53232XU
A_	74
T3	54.7
SDM_	192.5
r	1.5
KBRG	5131
R_	160