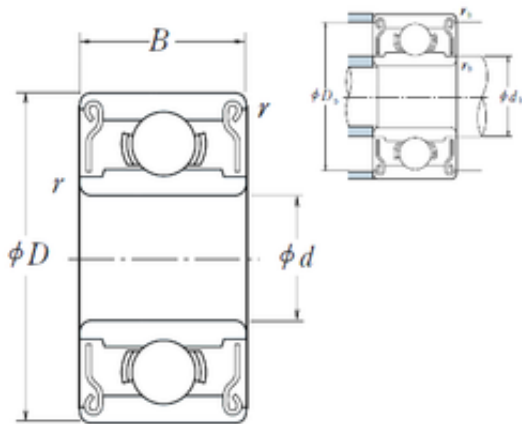




CAR Bearing manufacturing Co.,Ltd



MR 74 ZZ Bearing 2D drawings and 3D CAD models

NSK MR 74 ZZ deep groove ball bearings

Bearing No. MR 74 ZZ

Size	4x7x2.5 mm
Bore Diameter	4 mm
Outer Diameter	7 mm
Width	2,5 mm
d	4 mm
D	7 mm
B	2,5 mm
C	2,5 mm
r min.	0,1 mm
db max.	4,8 mm
Db min.	6,3 mm
rb max.	0,1 mm
Weight	0,00029 Kg
Basic dynamic load rating (C)	0,255 kN
Basic static load rating (C0)	0,107 kN