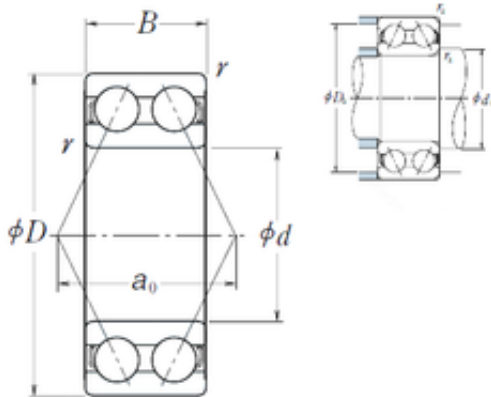




CAR Bearing manufacturing Co.,Ltd

NSK 5311 angular contact ball bearings



Bearing No. 5311

Size	55x120x49.2 mm
Bore Diameter	55 mm
Outer Diameter	120 mm
Width	49,2 mm
d	55 mm
D	120 mm
B	49,2 mm
C	49,2 mm
a	60,6 mm
r min.	2 mm
da min.	65 mm
da max	110 mm
ra max.	2 mm
Weight	2,3 Kg
Basic dynamic load rating (C)	95 kN
Basic static load rating (C0)	73 kN
(Grease) Lubrication Speed	3 800 r/min
SRI	9.91
hidYobi	5311
LangID	1
D_	120
SREX	0.04
B_	49.2
hidTable	ecat_NSANGBD
Oil rpm	5000
SRE	9.91

5311 Bearing 2D drawings and 3D CAD models



CAR Bearing manufacturing Co.,Ltd

mass	2.3
GRS rpm	3800
ra	2
SRIX	0.04
D_a	110
SRIN	0
C0	73
SREN	0
DE_	104.126
Prod_Type3	ACBB_DR_A
da	65
DA_	19.05
Z_	8
ALP	50
yobi	5311
ao	60.6
SDM_	85
r	2
KBRG	1121
DI_	65.874