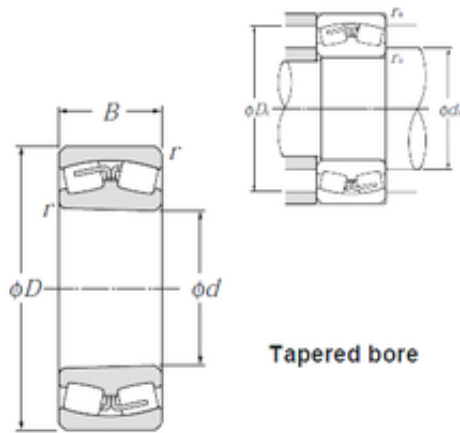




CAR Bearing manufacturing Co.,Ltd

NTN 24196BK30 spherical roller bearings



Bearing No. 24196BK30

Size	480x790x308 mm
Bore Diameter	480 mm
Outer Diameter	790 mm
Width	308 mm
d	480 mm
D	790 mm
B	308 mm
C	308 mm
r min.	7,5 mm
da min.	516 mm
Da max.	754 mm
ra max.	6 mm
Weight	600 Kg
Basic dynamic load rating (C)	7 450 kN
Basic static load rating (C0)	15 300 kN
(Grease) Lubrication Speed	350 r/min
(Oil) Lubrication Speed	450 r/min
Calculation factor (e)	0,39
Calculation factor (Y0)	1,7
Calculation factor (Y1)	1,74

24196BK30 Bearing 2D drawings and 3D CAD models