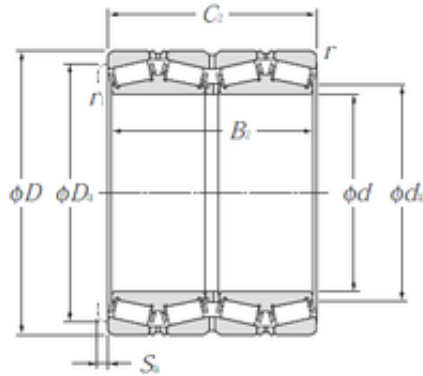




CAR Bearing manufacturing Co.,Ltd

NTN E-M275349D/M275310/M275310DG2 tapered roller bearings



Bearing No. E-M275349D/M275310/M275310DG2

Size	519.112x736.6x536.575 mm
Bore Diameter	519,112 mm
Outer Diameter	736,6 mm
Width	536,575 mm
d	519,112 mm
D	736,6 mm
B	536,575 mm
C	536,575 mm
r min.	6,4 mm
r1 min.	3,3 mm
Da	684 mm
da	552 mm
Sa	9,5 mm
Weight	761 Kg
Basic dynamic load rating (C)	9 100 kN

E-M275349D/M275310/M275310DG2 Bearing 2D drawings and 3D CAD models